

# STL2 SERIES OUTDOOR LIGHTING

STL2-30W-30K  
STL2-30W-50K



Selection:



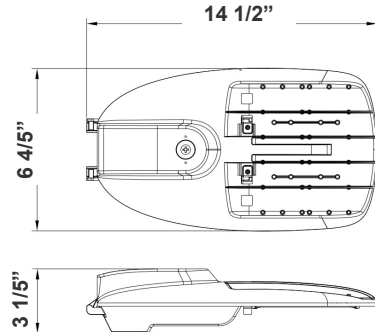
This outdoor lighting is ideal for general site lighting, street, roadway, alleys, loading docks, doorway, pathway, and parking areas

Customer Name: \_\_\_\_\_

Project Name: \_\_\_\_\_

Note: \_\_\_\_\_

Type: \_\_\_\_\_



14 1/2"(L) x 6 4/5"(W) x 3 1/5"(H)

## Features

- Light Grey Finish
- With NEMA twist-lock Photocell Socket (Shorting Cap included)
- 7-Year Warranty
- Outdoor Light

## Technical Specifications

### Electrical:

- Voltage: 120-277V; 60Hz AC
- Power Factor: >0.95
- Wattage: 30W
- Efficacy: 130 LPW

### Mechanical:

- Die-cast Aluminum with Powder Coat Finish (Light Grey)
- Cord Type: 40" SJTW 18/3 AWG Cable
- With 1-31/32" Diameter Pole Entry with Adapter Bracket Inside for Smaller Pole Diameters
- Maximum Ambient Temperature: 104°F
- Rated life: 50,000 hrs
- Wet Location
- IP Rating: IP65

### Lighting:

- Lens Type: Optical TYPE III Lens, High Light Transmittance PC, Anti-UV and Flame Resistant
- Dimming: 0-10 Dimming
- Driver Located in Isolated Compartment for Improved Thermal Management
- Total Lumens: 3900LM
- Color Temperatures: 3000K/5000K
- Color Rendering Index: CRI ≥ 70

### Applications:

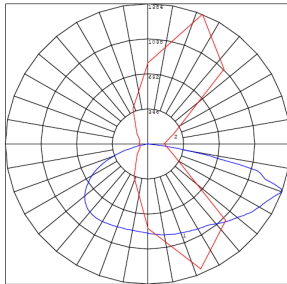
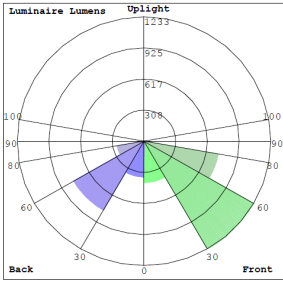
- Ideal for general site lighting, street, roadway, alleys, loading docks, doorway, pathway and parking areas

## Other Models:

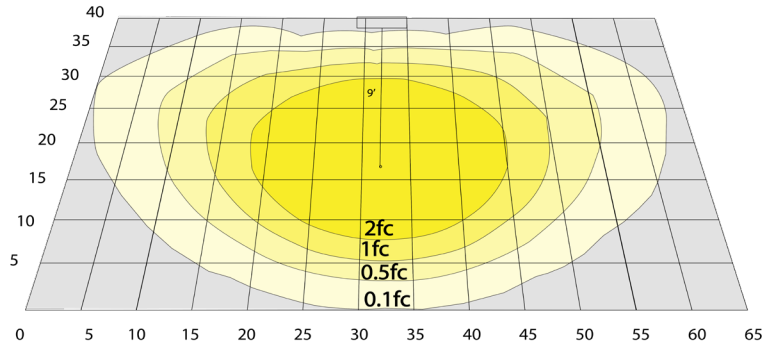
• 50W | 6500LM | STL2-50W-30K • 80W | 10800LM | STL2-80W-30K • 100W | 13500LM | STL2-100W-30K • 150W | 21000LM | STL2-150W-30K • 200W | 27000LM | STL2-200W-30K  
• 50W | 6500LM | STL2-50W-50K • 80W | 10800LM | STL2-80W-50K • 100W | 13500LM | STL2-100W-50K • 150W | 21000LM | STL2-150W-50K • 200W | 27000LM | STL2-200W-50K



## Photometrics: STL2-30W



BUG Rating: B1-U0-G1



Area 40'x 65' Mounting Height: 9'

## Other Views:



Side View



Front View



Back View



Mounting Hole View

## Performance Table: STL2-30W

| MODEL NO.    | Wattage | Voltage  | Lumens | Color Temp. | BUG Rating | LPW |
|--------------|---------|----------|--------|-------------|------------|-----|
| STL2-30W-30K | 30W     | 120-277V | 3900LM | 3000K       | B1-U0-G1   | 130 |
| STL2-30W-50K | 30W     | 120-277V | 3900LM | 5000K       | B1-U0-G1   | 130 |

## Sample Ordering

| Model | Watt | Color Temp.                |
|-------|------|----------------------------|
| STL2  | 30W  |                            |
|       |      | 30K = 3000K<br>50K = 5000K |

## Accessories:

Blank = No Option For Accessories

STL2-WMA = WALL MOUNTING ARM 12 3/4" LENGTH

PC-TWIST = 1800W TUNGSTEN TWIST LOCK PHOTOCELL

## Example:

1. STL2-30W-30K (FOR STL2 30W 3000K OUTDOOR LIGHT FIXTURE 120-277V)
2. STL2-30W-30K STL2-WMA (FOR STL2 30W 3000K OUTDOOR LIGHT FIXTURE 120-277V)  
(FOR WALL MOUNTING ARM 12 3/4" LENGTH)

## ACCESSORIES:



STL2-WMA  
WALL MOUNTING ARM  
12 3/4" LENGTH



PC-TWIST  
1800W TUNGSTEN TWIST LOCK  
PHOTOCELL